

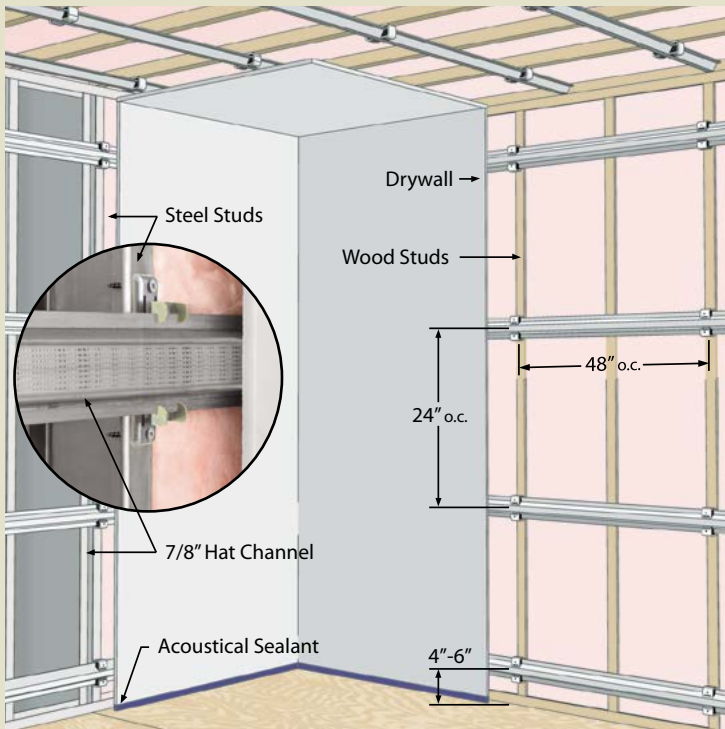
QUIETCLIP

Soundproof Walls and Ceilings

INNOVATIVE NEW DESIGN CAN NOT FAIL IN A FIRE

QUIETCLIPS ARE THE MOST EFFECTIVE
SOUND ISOLATION CLIPS AVAILABLE.

FOR WALL AND CEILING STC RATINGS OVER 55,
ABSOLUTELY THE LOWEST INSTALLED COST



QuietClips are the easy and economical way to decouple your wall and ceiling to increase performance without the cost of staggered or double stud wall construction. Benefits include higher STC and IIC results at a lower installed cost and elimination of short circuit risk.

QuietClips dramatically improve the STC and IIC for any wall, floor or ceiling.

Using Sound Isolation Clips in your new or existing wall construction will improve the noise blocking from average to remarkable. QuietClips are the most effective method to decouple your partition from the framing; this has been proven in lab tests of the three available products.

Party walls are now required to meet STC ratings of 50 or more; Home Theater and Studio construction projects present builders and contractors with unique challenges in wall and ceiling construction. In every case there is no solution that can equal the economy or performance of sound isolation clips.

Existing or new Hardwood Floors create the need for footstep noise blocking to the rooms below. Renovation of existing multi-family buildings creates challenges where carpet was the floor covering of choice; new buyers demand more contemporary floors of Stone, Tile or Wood. Using QuietClips on the ceiling below can block both the impact noise from footsteps, and block airborne noise from shouting, media rooms, and even kids running down the hall!

SOUND [ISOLATION] COMPANY

Soundproofing Made Simple

(888) 666-5090 | Fax: (704) 504-1115
info@soundisolationcompany.com
www.soundisolationcompany.com

**Solve your noise problem. Call now
to get it right the first time 888-666-5090**

With Sound Isolation Company you will get the help you need: expert design, product selection and installation instruction. We have the experience you need for a partnership that will work.



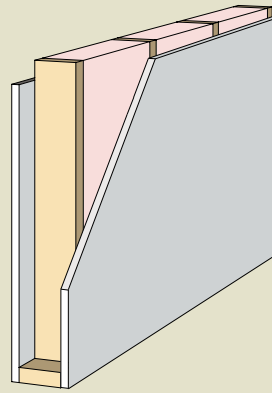
BENEFITS OF QUIETCLIPS

- ▶ Require no “special” drywall; regular off the shelf products and readily available hat channel are all you need.
- ▶ New design eliminates rubber components; QuietClips work better, last longer and cannot fail in a fire.
- ▶ No need for double stud, staggered stud, or double wall assemblies.

Truly quiet walls require low frequency soundproofing; just reading the STC does not mean that one wall is better than another. You must consider the performance of the wall at different frequencies to insure that you will get the results that you are after. When compared to Quiet Sheetrock, Resilient Channel, or staggered stud construction, QuietClips perform better at a lower cost than any other option.

SOUNDPROOFING ACCESSORIES

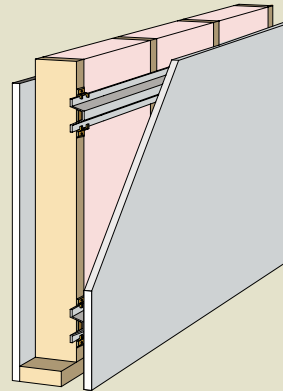
Green Glue Noiseproofing Sealant
 Sealtight Putty Pads
 Privacy Floor Gasket
 Electrical Box Extensions



Single Stud Wall Assembly

R-11 Insulation
 5/8” Type X Drywall
 7/8” Hat Channel

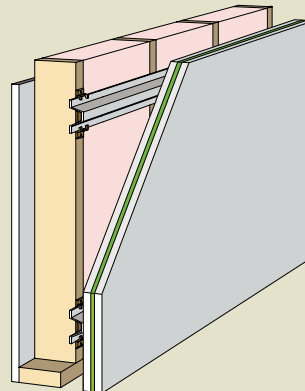
Wood Studs: 34-35 STC
Steel Studs: 43-44 STC



QuietClip Wall Assembly

R-11 Insulation
 5/8” Type X Drywall
 7/8” Hat Channel

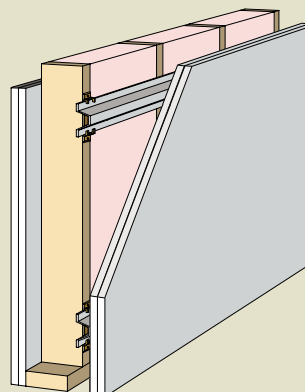
Wood Studs: 56 STC
Metal Studs: 59 STC



QuietClip & Green Glue Wall Assembly

R-11 Insulation
 5/8” Type X Drywall
 7/8” Hat Channel

Wood Studs: 62 STC



QuietClip Double Drywall Wall Assembly

R-11 Insulation
 5/8” Type X Drywall
 7/8” Hat Channel

Wood Studs: 63 STC